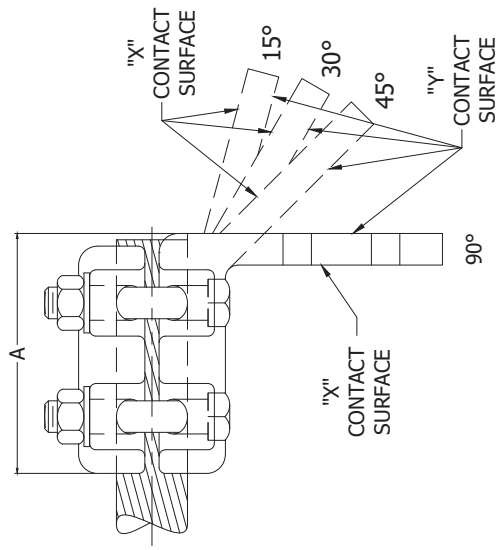
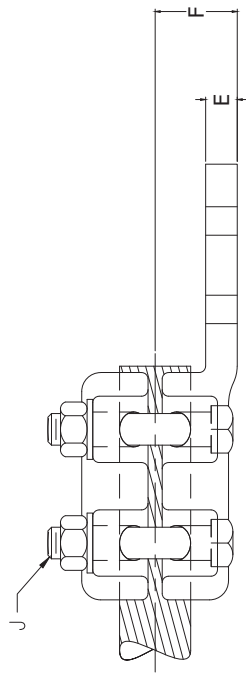
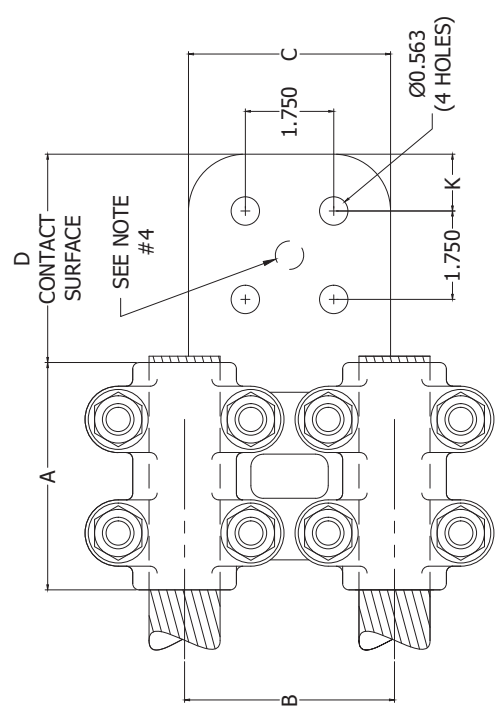


**FIG. 1**



**FIG. 2**



**NOTES:**

1. MATERIAL: CASTINGS - 356-T6 ALUMINUM ALLOY  
HARDWARE - ALUMINUM ALLOY
2. DIMENSION IN INCHES.
3. CONNECTORS ARE AVAILABLE IN CENTER FORMED (CF) AND ANGLED TONGUES (15°, 30°, 45°, AND 90°). TO ORDER, ADD SUFFIX TO CATALOG NUMBER. EXAMPLE (A2CF-11-C-30)
4. CONNECTORS WITH "K" SIZE TONGUES, (5" X 5"), WILL HAVE FIVE 0.688" DIAMETER HOLES. THE FOUR OUTSIDE HOLES WILL BE ON 2.500" CENTERS WITH THE FIFTH HOLE CENTERED BETWEEN THEM.
5. TO OBTAIN CABLE GROOVES COATED WITH A PETROLEUM BASE SEALANT, ADD "XB" SUFFIX TO PART NUMBER.  
EXAMPLE: (A2CF-11-C-XB)
6. ITEMS WITH (\*) ARE FURNISHED WITH MULTI-CAPS.  
EXAMPLE: (A2CFM-13-D)
7. TO OBTAIN AN UNDRILLED PAD, ADD "UD" SUFFIX TO PART NUMBER  
EXAMPLE: (A2CF-13-D-UD)

75606	08/21/2019	HG	HG	PTB
EC #	DATE	CHG BY	CKD BY	APPD BY
---	---	---	---	---
DESC OF IMG ADDED IMAGE				
REASON (S) FOR CHANGE: ---				
DISPOSITION OF MAT'L: ---				

<b>HUBBELL POWER SYSTEMS</b>				
<b>ALUMINUM TERMINAL CONNECTOR</b>				
<b>TWO CABLES TO FLAT</b>				
CATALOG NUMBER: A2CF				
SIZE	DWG NO.	PART / ASSY NO.	REV	
C	C-1482	SEE TABLE	36	
SCALE: NS	DRN BY: VDS	DATE: 07/09/57	SHEET 1 OF 3	

CATALOG NUMBER	CABLE RANGE		FIG.	A	B	C	D	E	F	J	K
	ACSR	AAC									
A2CF-6-B	#4 - 4/0	#4 - 250 MCM	1	3.000	2.563	1.500	3.125	0.469	1.250	0.500	0.625
A2CF-6-B2	#4 - 4/0	#4 - 250 MCM	1	3.000	2.563	2.000	3.125	0.469	1.250	0.500	0.625
A2CF-6-C	#4 - 4/0	#4 - 250 MCM	2	3.000	2.563	3.000	3.125	0.469	1.250	0.500	0.625
A2CF-7-B2	4/0 - 336	250 - 400 MCM	1	3.000	2.563	2.000	3.125	0.500	1.188	0.500	0.625
A2CF-7-C	4/0 - 336	250 - 400 MCM	2	3.000	2.563	3.000	3.250	0.563	1.188	0.500	0.625
A2CF-9-B2	336 - 477	350 - 600 MCM	1	3.250	2.813	2.000	3.375	0.563	1.313	0.500	0.625
A2CF-9-B2-X/Y-90	336 - 477	350 - 600 MCM	1	3.250	2.813	2.000	3.250	0.563	-	0.500	0.625
A2CF-9-C	336 - 477	350 - 600 MCM	2	3.250	2.813	3.000	3.250	0.563	1.313	0.500	0.625
A2CF-9-C-X/Y-90	336 - 477	350 - 600 MCM	2	3.250	2.813	3.000	3.250	0.563	-	0.500	0.625
A2CF-11-B2	556.5 - 795	600 - 900 MCM	1	3.500	3.063	2.000	3.125	0.625	1.375	0.500	0.625
A2CF-11-C	556.5 - 795	600 - 900 MCM	2	3.500	3.063	3.000	3.250	0.625	1.375	0.500	0.625
A2CF-11-C-X/Y-45	556.5 - 795	600 - 900 MCM	2	3.500	3.063	3.000	3.250	0.625	-	0.500	0.625
A2CF-11-C-X/Y-90	556.5 - 795	600 - 900 MCM	2	3.750	3.063	3.000	3.375	0.625	-	0.500	0.625
A2CF-11-D	556.5 - 795	600 - 900 MCM	2	3.500	3.063	4.000	4.250	0.625	1.375	0.500	1.125
A2CF-11-D-X/Y-90	556.5 - 795	600 - 900 MCM	2	4.125	3.063	4.000	4.250	0.625	-	0.500	1.125
A2CF-13-B2	715.5 - 1113	900 - 1250 MCM	1	3.750	3.250	2.000	3.125	0.625	1.438	0.500	0.625
A2CF-13-B2-X/Y-60	715.5 - 1113	900 - 1250 MCM	1	3.813	3.313	2.000	3.250	1.000	-	0.500	0.625
A2CF-13-C	715.5 - 1113	900 - 1250 MCM	2	3.750	3.313	3.000	3.250	0.625	1.438	0.500	0.625
A2CF-13-C-CF	715.5 - 1113	900 - 1250 MCM	2	3.750	3.313	3.000	3.250	0.625	0.875	0.500	0.625
A2CF-13-C-X/Y-45	715.5 - 1113	900 - 1250 MCM	2	3.750	3.313	3.000	3.250	0.625	-	0.500	0.625
A2CF-13-C-X/Y-60	715.5 - 1113	900 - 1250 MCM	2	3.750	3.313	3.000	3.250	0.625	-	0.500	0.625
A2CF-13-C-X/Y-90	715.5 - 1113	900 - 1250 MCM	2	3.875	3.313	3.000	3.125	0.500	-	0.500	0.625
A2CF-13-D	715.5 - 1113	900 - 1250 MCM	2	3.750	3.313	4.000	4.250	0.625	1.438	0.500	1.125
A2CF-13-D-X/Y-45	715.5 - 1113	900 - 1250 MCM	2	3.750	3.313	4.000	4.250	0.625	-	0.500	1.125
A2CF-13-D-X/Y-60	715.5 - 1113	900 - 1250 MCM	2	3.750	3.313	4.000	4.250	0.625	-	0.500	1.125
A2CF-13-D-X/Y-90	715.5 - 1113	900 - 1250 MCM	2	3.969	3.313	4.000	4.250	0.625	-	0.500	1.125
*A2CFM-13-D	556.5 - 1113	900 - 1250 MCM	2	3.750	3.313	4.000	4.250	0.625	1.438	0.500	1.125
*A2CFM-13-D-X/Y-90	556.5 - 1113	900 - 1250 MCM	2	3.750	3.313	4.000	4.250	0.625	-	0.500	1.125
A2CF-15-B2	1113 - 1272	1250 - 1600 MCM	1	4.250	3.813	2.000	3.125	0.656	1.563	0.625	0.625
A2CF-15-C	1113 - 1272	1250 - 1600 MCM	2	4.250	3.813	3.000	3.250	0.656	1.563	0.625	0.625
A2CF-15-C-X/Y-15	1113 - 1272	1250 - 1600 MCM	2	4.250	3.813	3.000	3.250	0.656	-	0.625	0.625
A2CF-15-C-X/Y-45	1113 - 1272	1250 - 1600 MCM	2	4.250	3.813	3.000	3.250	0.656	-	0.625	0.625
A2CF-15-C-X/Y-90	1113 - 1272	1250 - 1600 MCM	2	4.375	3.813	3.000	3.250	0.625	-	0.625	0.625
A2CF-15-D	1113 - 1272	1250 - 1600 MCM	2	4.250	3.813	4.000	4.250	0.625	1.625	0.625	1.125
A2CF-15-D-X/Y-45	1113 - 1272	1250 - 1600 MCM	2	4.250	3.813	4.000	4.250	0.625	-	0.625	1.125
A2CF-15-D-X/Y-90	1113 - 1272	1250 - 1600 MCM	2	4.875	3.813	4.000	4.250	0.625	-	0.625	1.125

CATALOG NUMBER: A2CF  
PART / ASSY NO.  
C C-1482 SEE TABLE  
SCALE: NS  
REV 36  
DATE: 07/09/57  
SHEET 2 OF 3  
UNCONTROLLED COPY WHEN PRINTED

4 3 2 1

4 3 2 1

D C C B A

D C C B A

CATALOG NUMBER	CABLE RANGE		FIG.	A	B	C	D	E	F	J	K
	ACSR	AAC									
A2CF-15-D-AP-CF	1113 - 1272	1250 - 1600 MCM	2	6.000	5.000	4.000	4.250	1.000	-	0.625	1.125
A2CF-16-B2	1272 - 1590	1500 - 2000 MCM	1	4.500	4.063	2.000	3.125	0.656	1.750	0.625	0.625
A2CF-16-C	1272 - 1590	1500 - 2000 MCM	2	4.500	4.063	3.000	3.250	0.875	1.750	0.625	0.625
A2CF-16-C-X/Y-45	1272 - 1590	1500 - 2000 MCM	2	4.500	4.063	3.000	3.250	0.875	-	0.625	0.625
A2CF-16-C-X/Y-90	1272 - 1590	1500 - 2000 MCM	2	5.000	4.063	3.000	3.250	0.875	-	0.625	0.625
A2CF-16-D	1272 - 1590	1500 - 2000 MCM	2	4.500	4.063	4.000	4.250	0.875	1.938	0.625	1.125
A2CF-16-D-X/Y-90	1272 - 1590	1500 - 2000 MCM	2	5.000	4.063	4.000	4.250	0.875	-	0.625	1.125
A2CF-16-K	1272 - 1590	1500 - 2000 MCM	2	4.500	4.063	5.000	5.375	0.875	1.938	0.625	1.250
A2CF-18-D	1.632 - 1.824 DIA	2000 - 2500 MCM	2	4.750	4.188	4.000	4.250	1.000	2.125	0.625	1.125
A2CF-18-D-X/Y-45	1.632 - 1.824 DIA	2000 - 25000 MCM	2	4.750	4.188	4.000	4.250	1.000	-	0.625	1.125

CATALOG NUMBER: A2CF			
SIZE	DWG NO.	PART / ASSY NO.	REV
C	C-1482	SEE TABLE	36
SCALE: NS	DRN BY: VJDS	DATE: 07/09/57	SHEET 3 OF 3